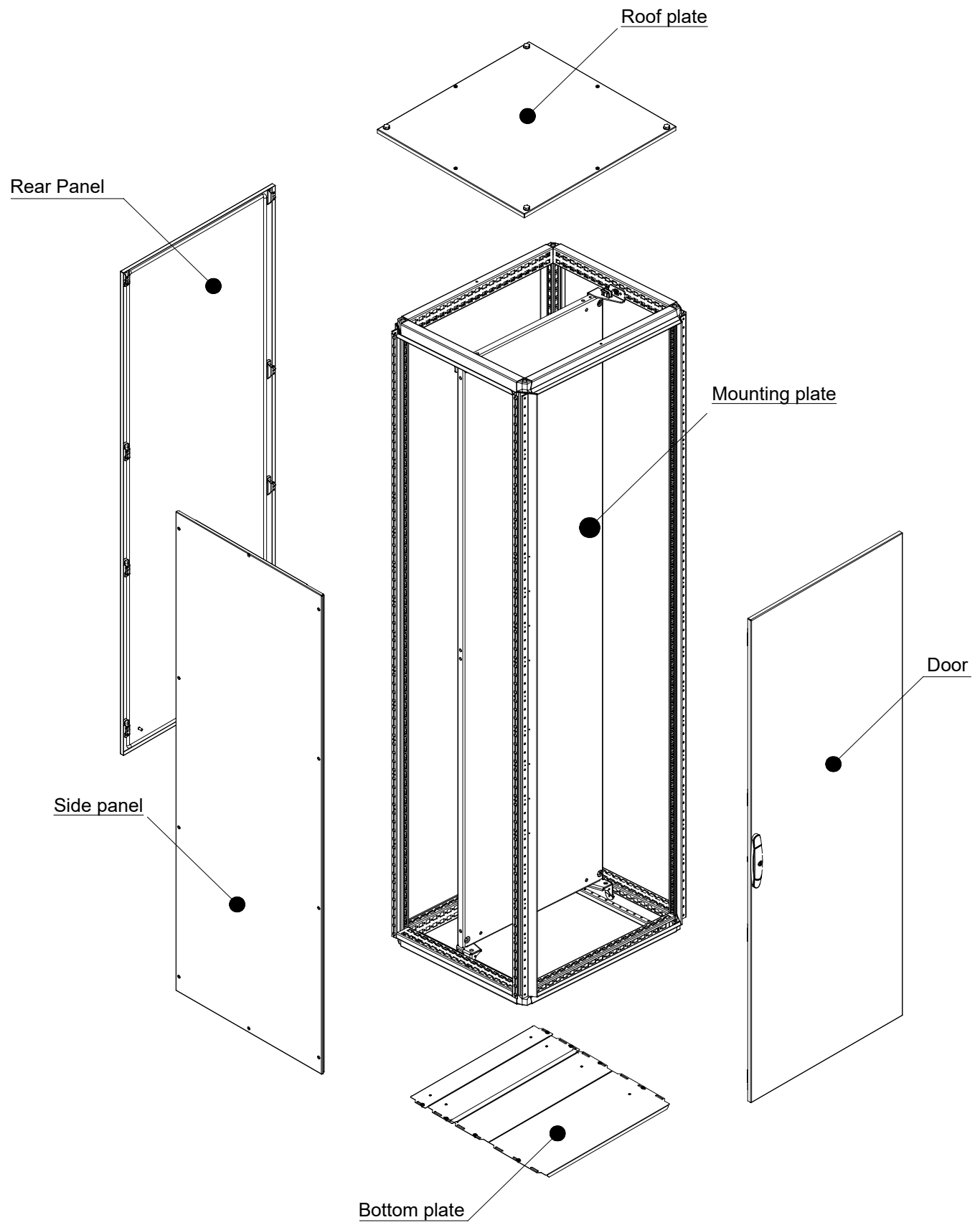


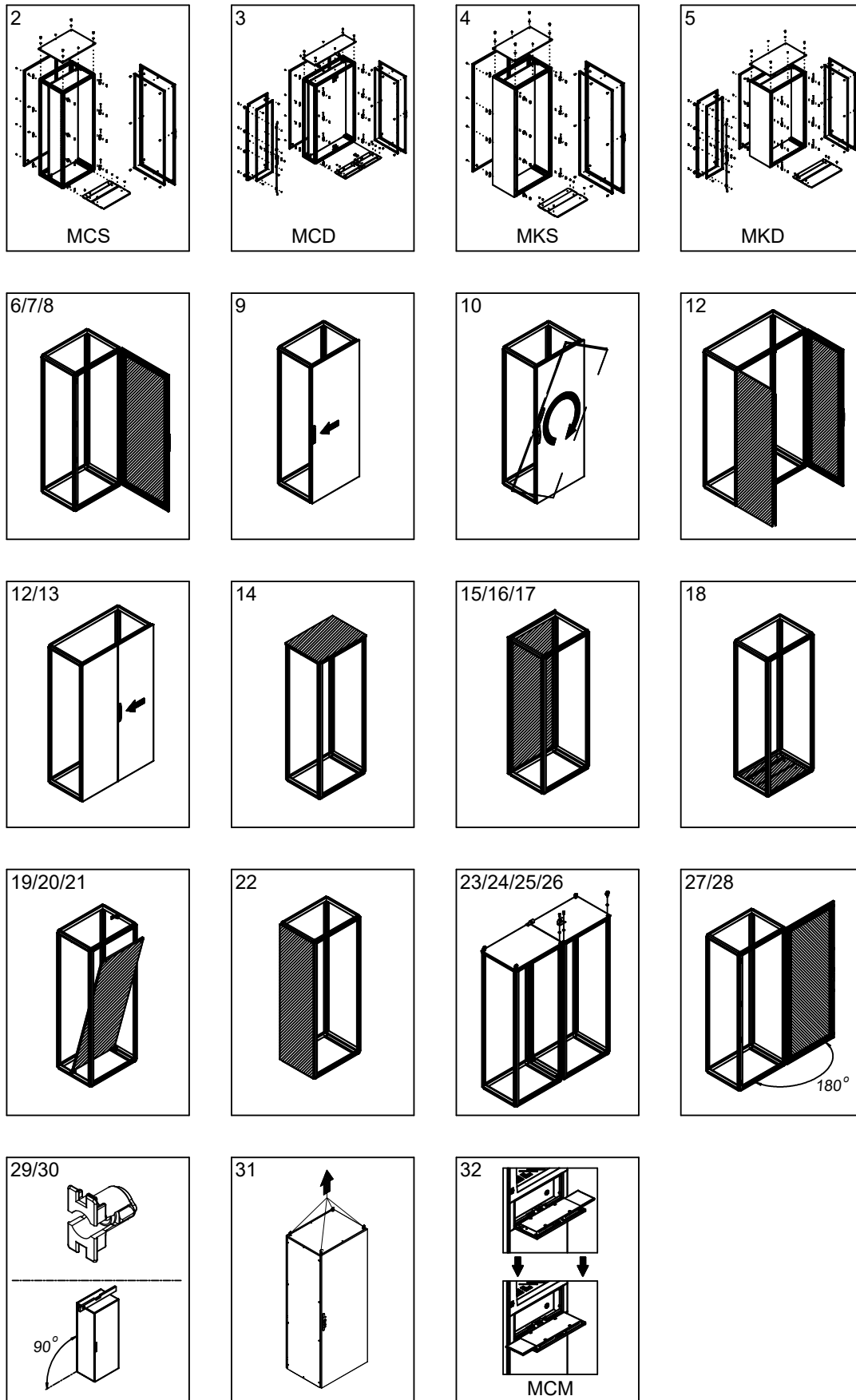
# Floor standing enclosures Combinable and compact version

## MOUNTING INSTRUCTIONS

7697-0262-01 REV.16



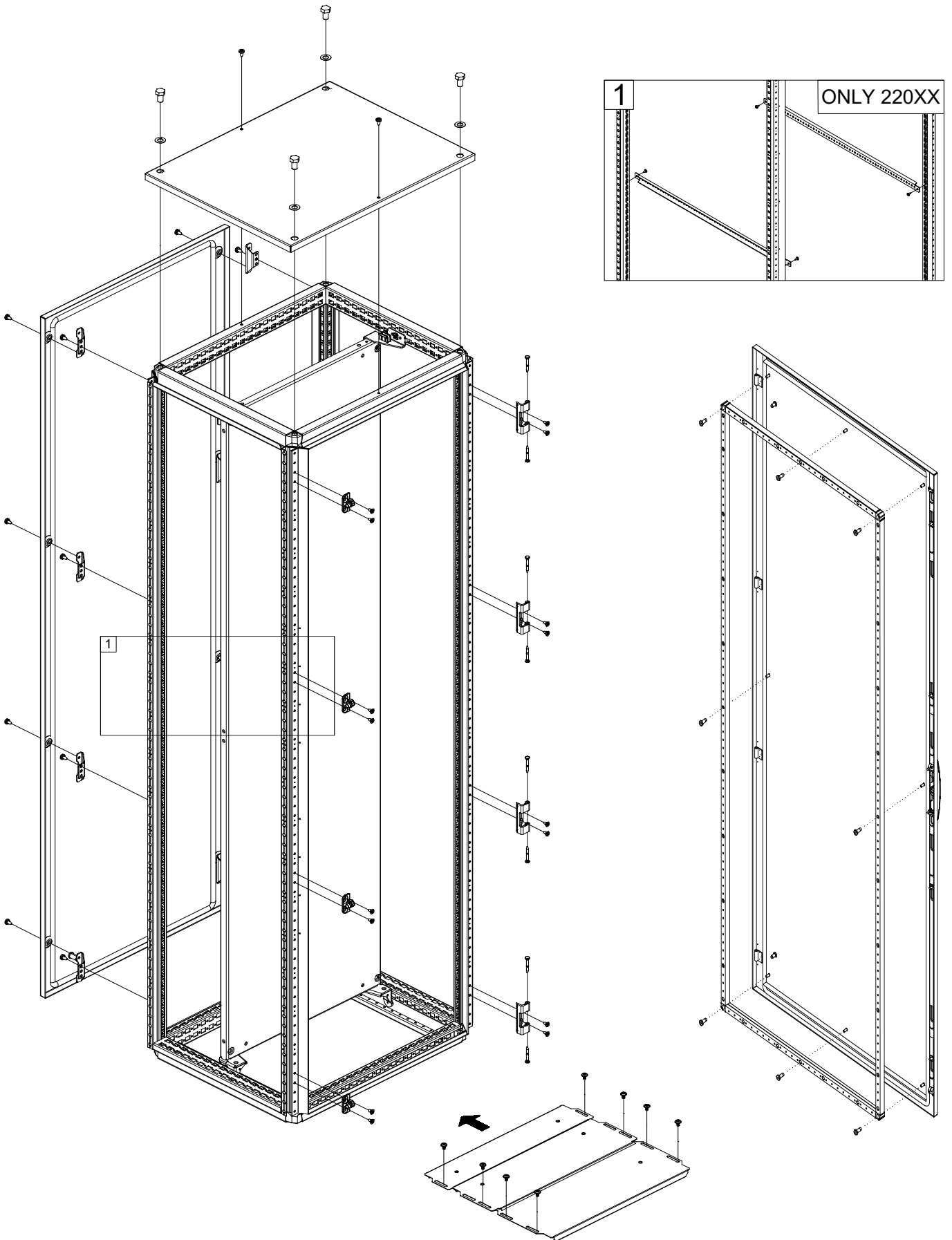




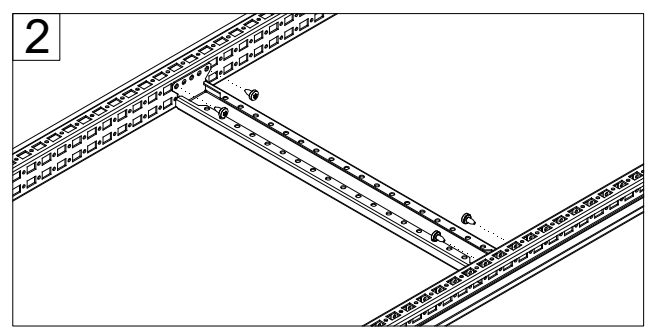
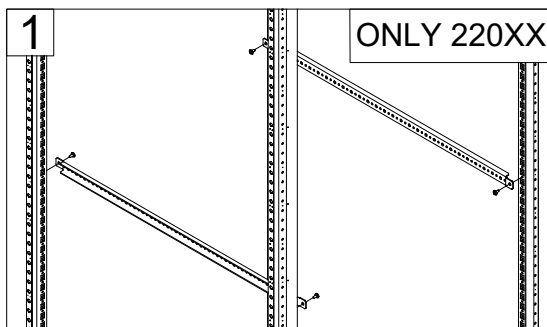
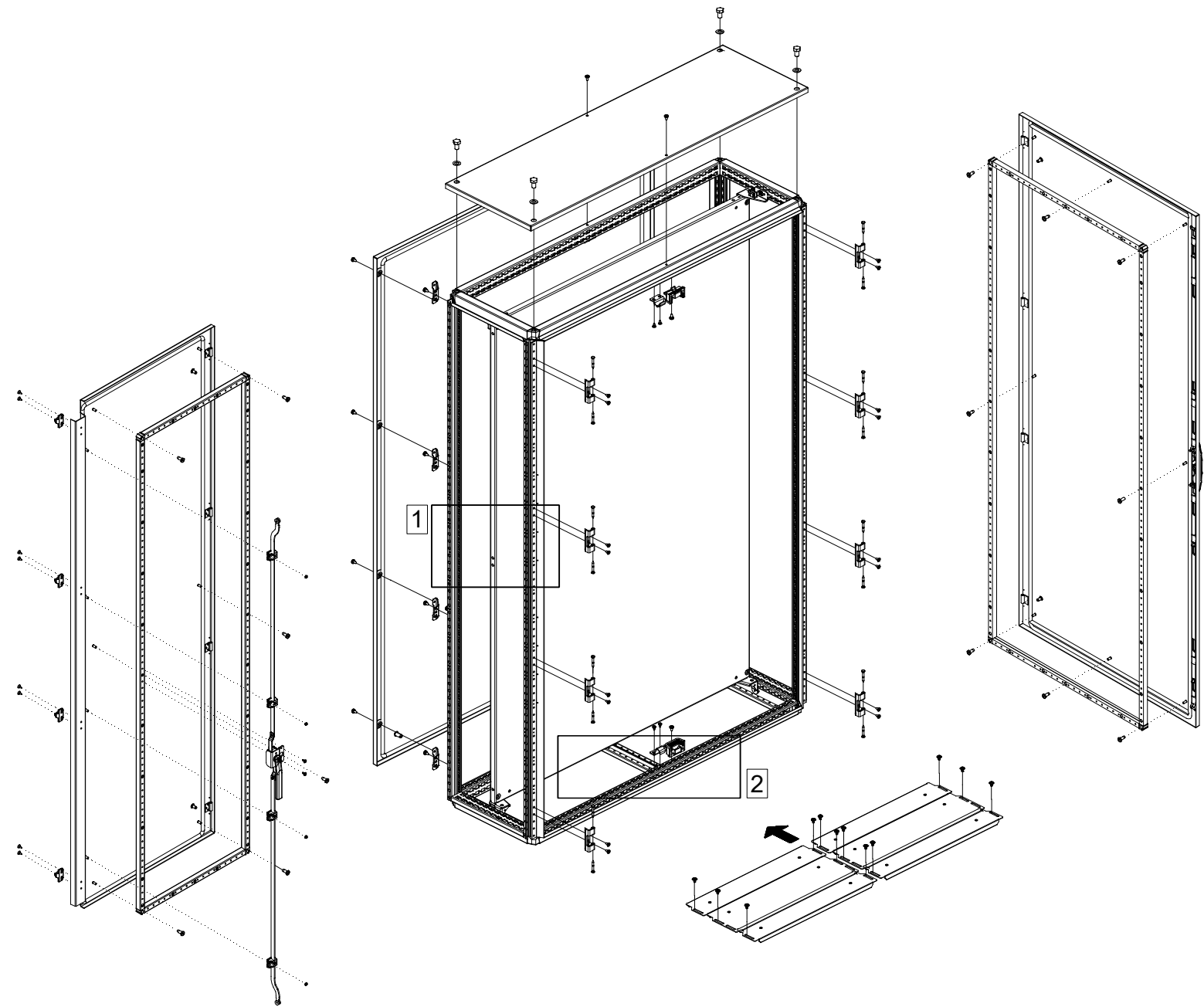
**WARNING:** When mounting on or over a combustible surface, a floor plate of at least 1.43 mm galvanized or 1.6 mm uncoated steel extended at least 150 mm beyond the equipment on all sides must be installed.

**WARNING:** In order to maintain the environmental integrity of the enclosure, devices with the same environmental ratings shall be used to close openings in customized enclosure.

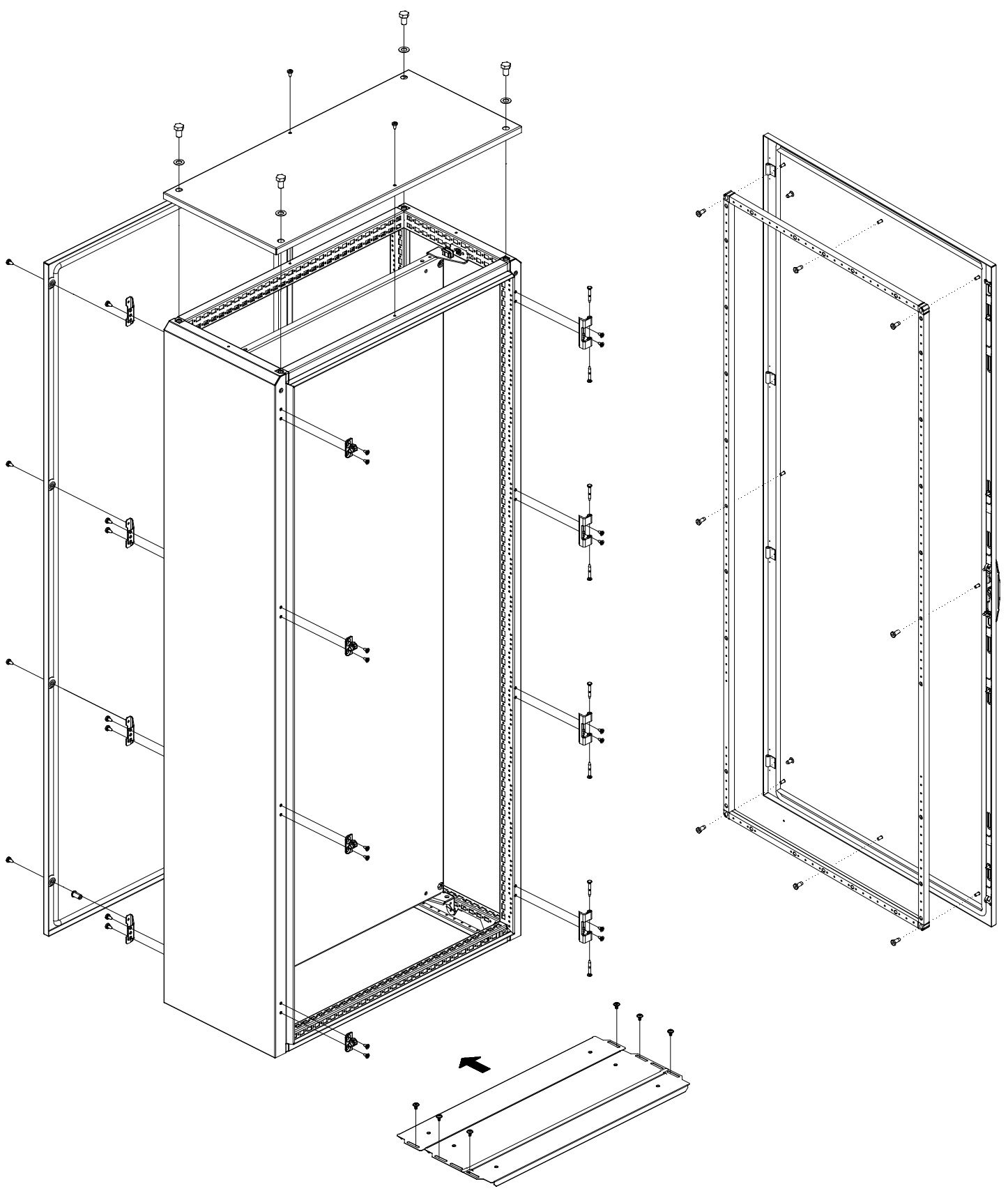
# MCS



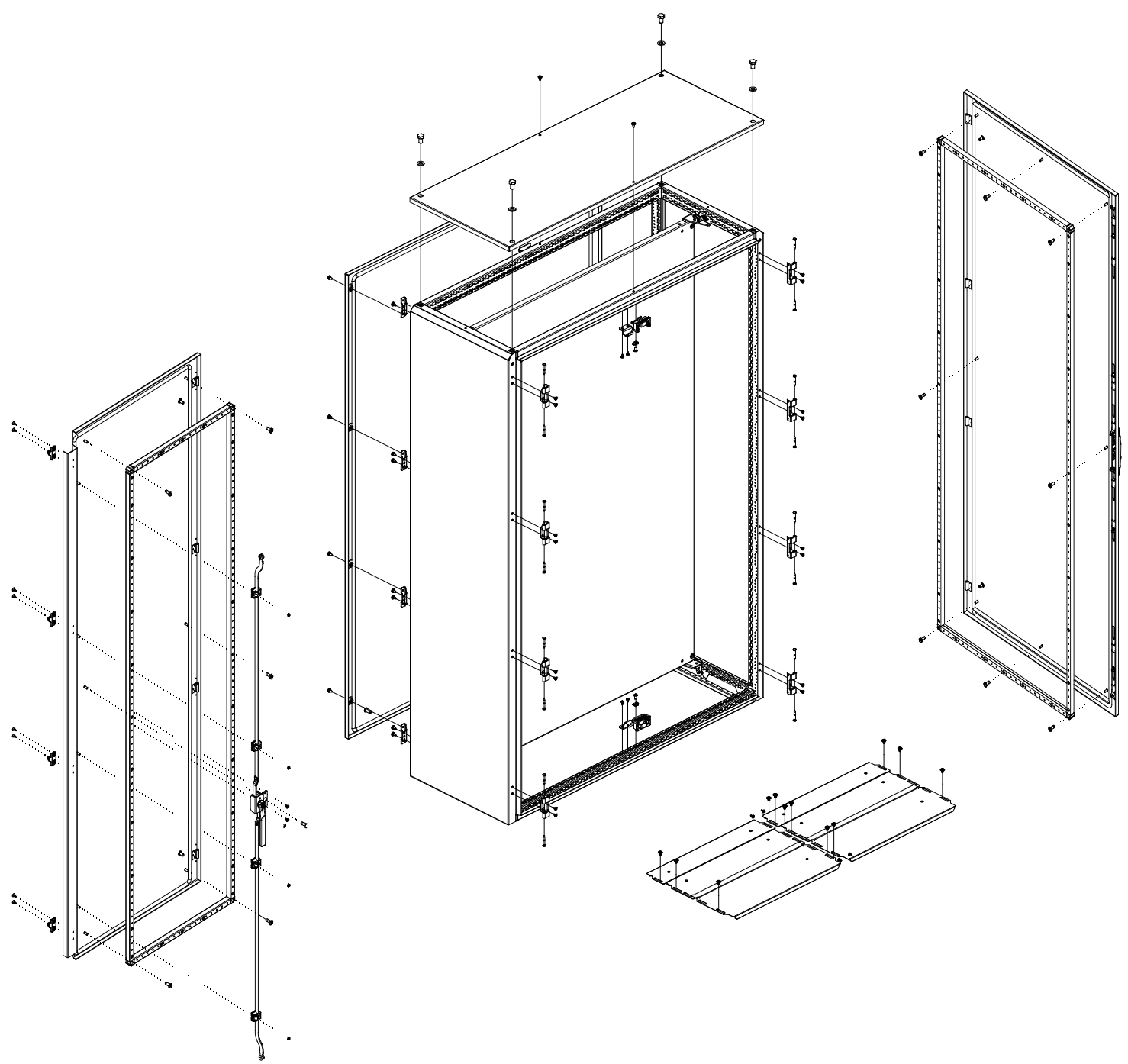
# MCD



# MKS



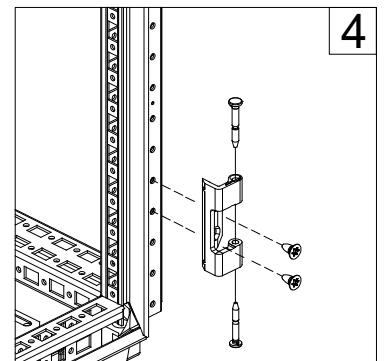
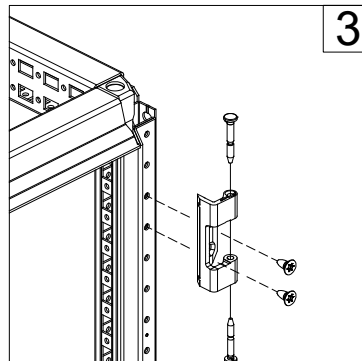
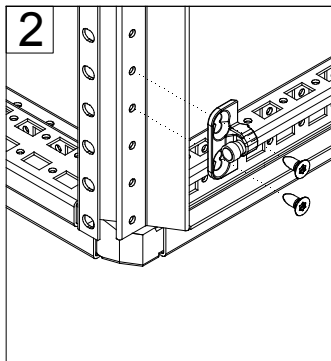
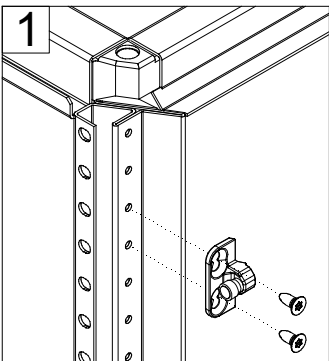
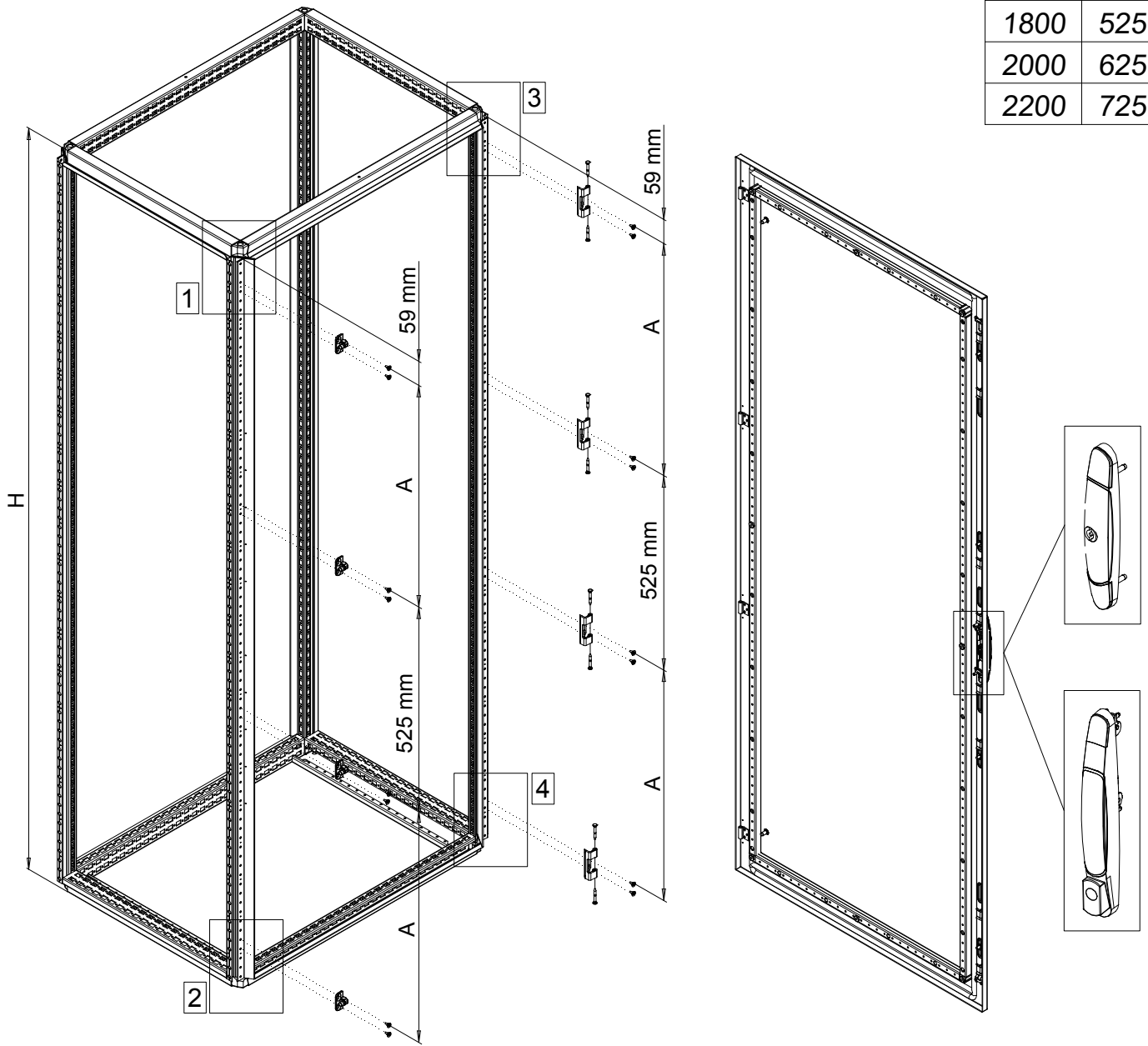
# MKD



# COMBINABLE ENCLOSURE



H	A
1100	175
1400	325
1600	425
1800	525
2000	625
2200	725



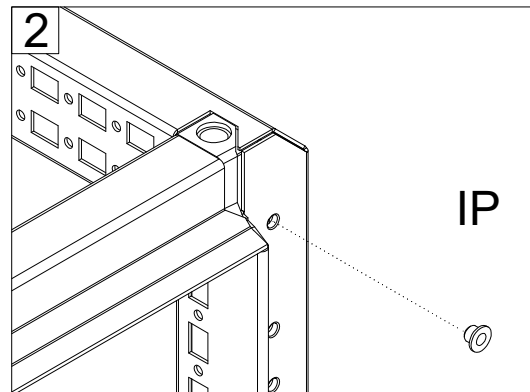
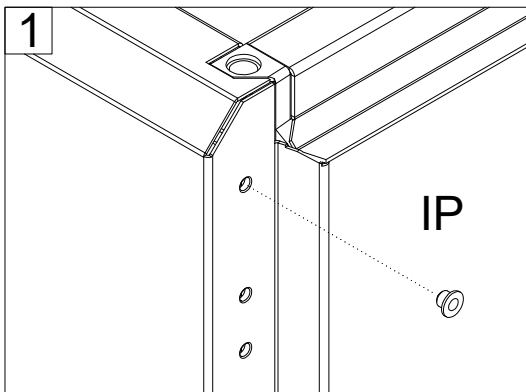
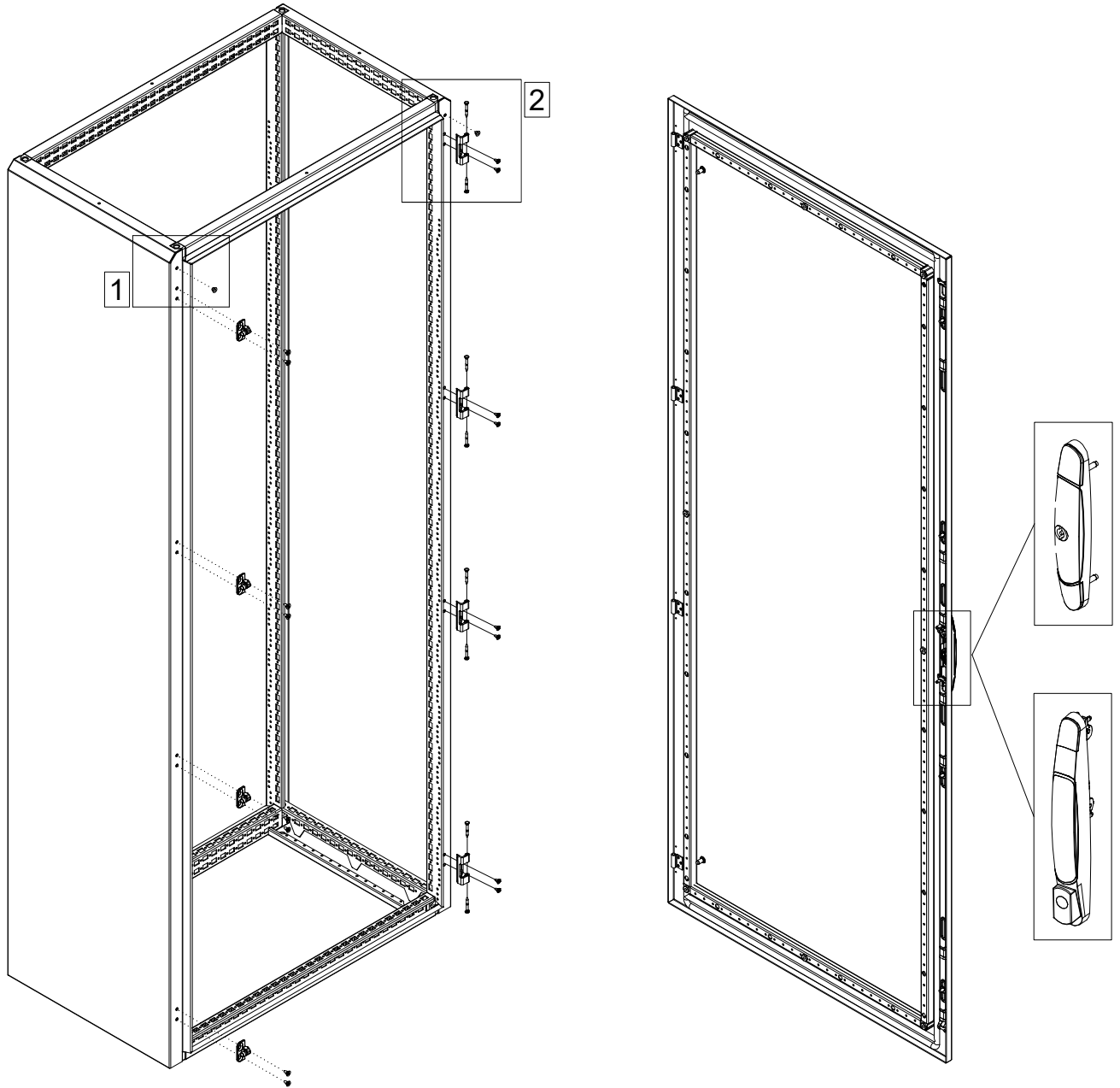


T30



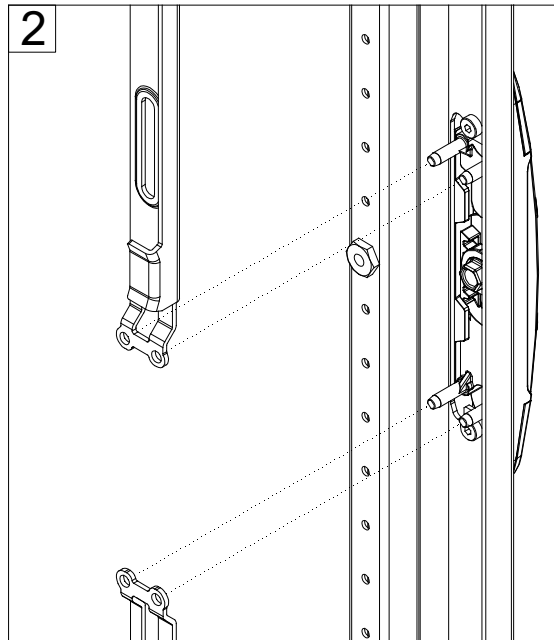
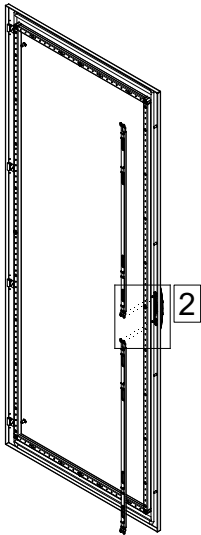
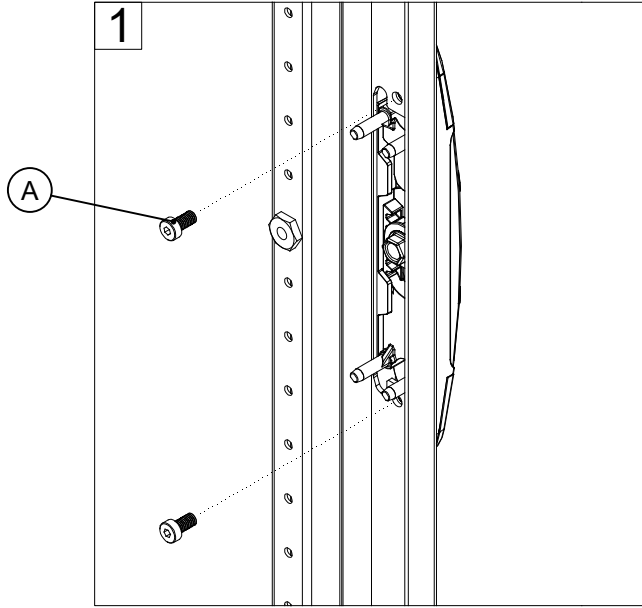
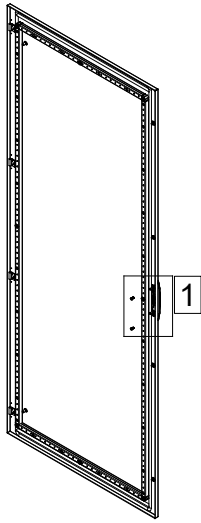
SW13

# COMPACT ENCLOSURE

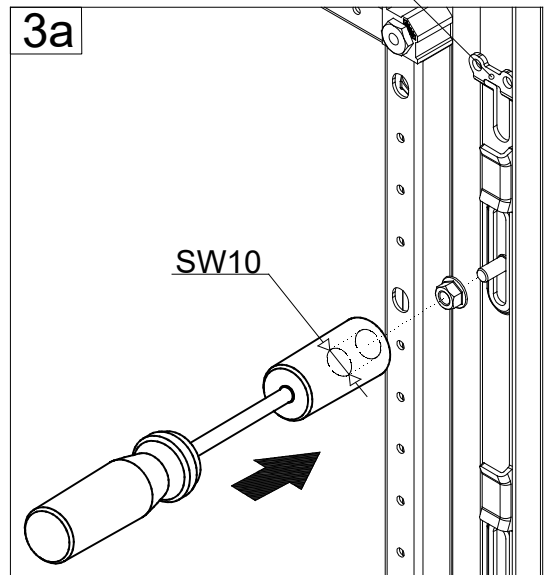
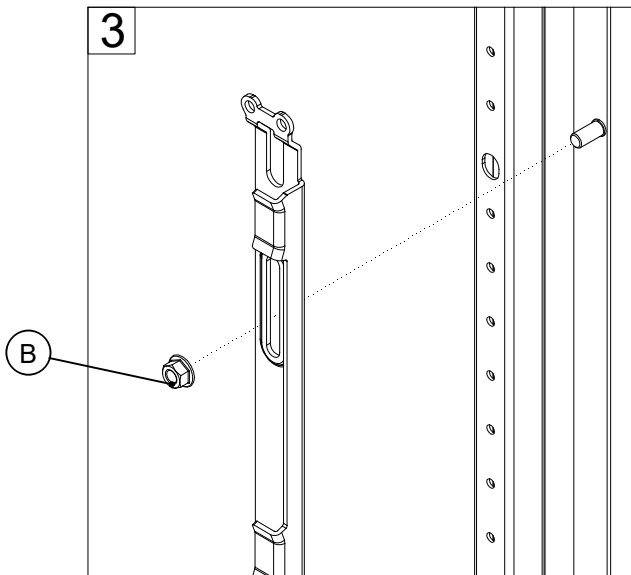
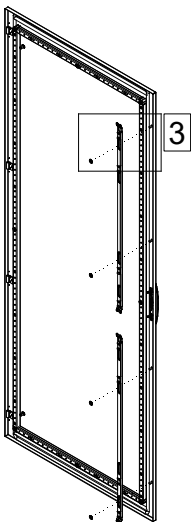




Ref.	Pic.	Qty.
A	M5x10	2
B	M5	4

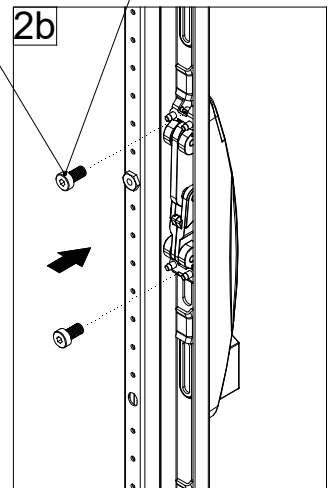
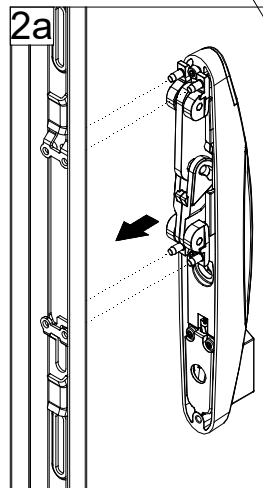
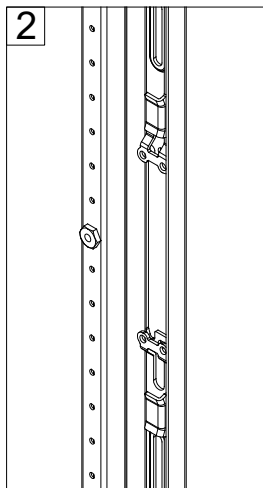
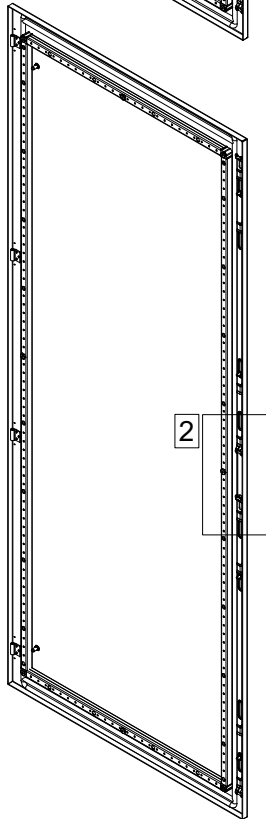
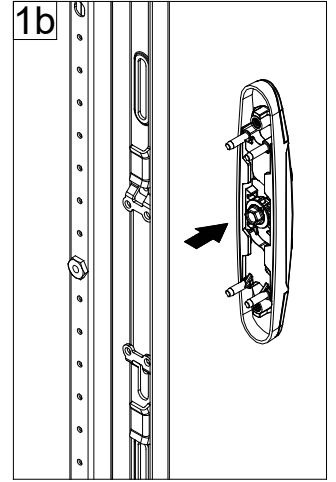
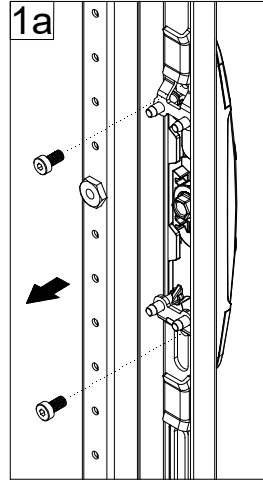
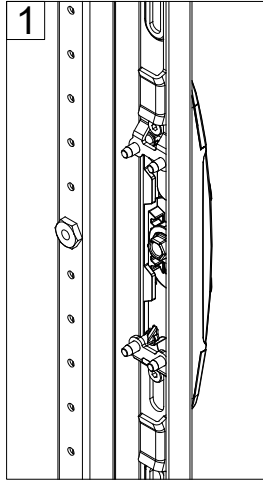
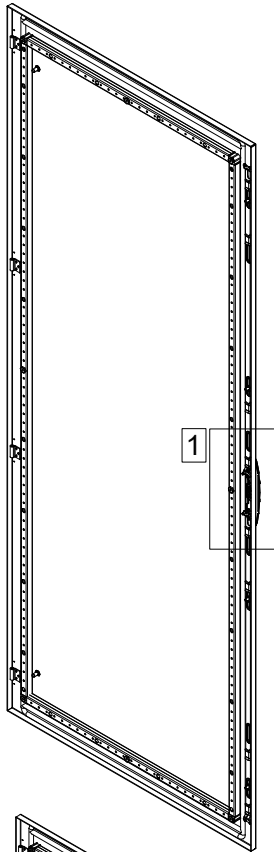


Metal Guider





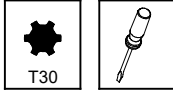
# MOUNTING THE LIFT HANDLE



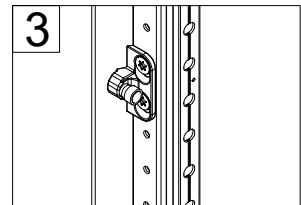
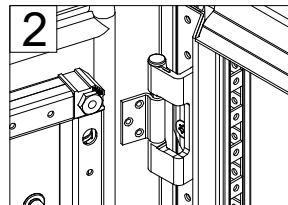
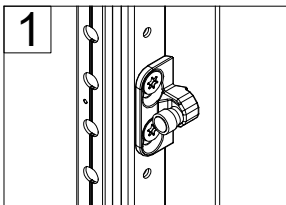
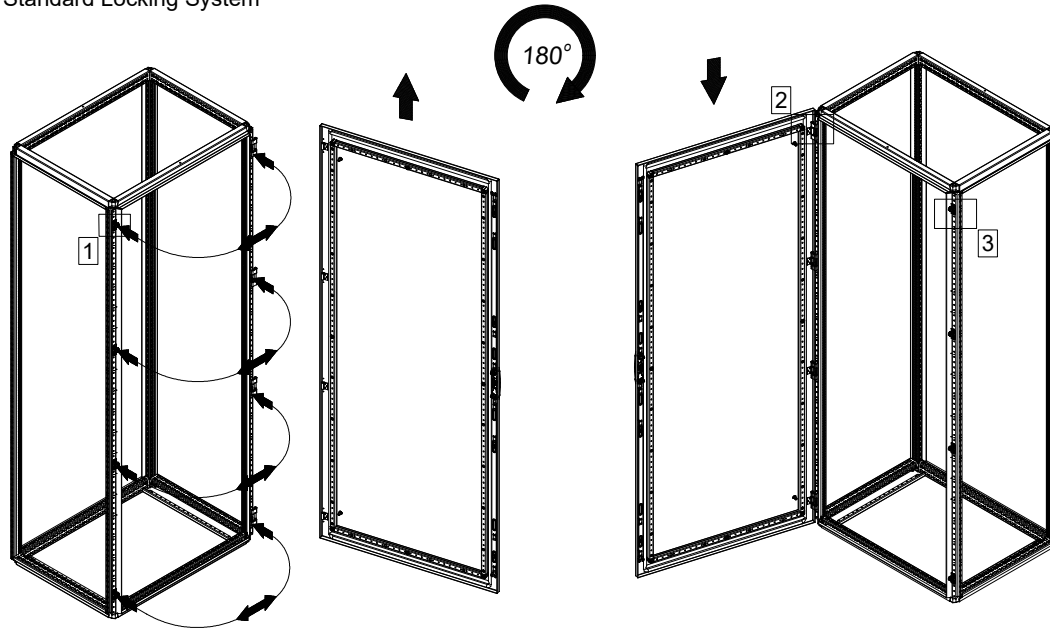
Torque  
4-5.5 Nm

A

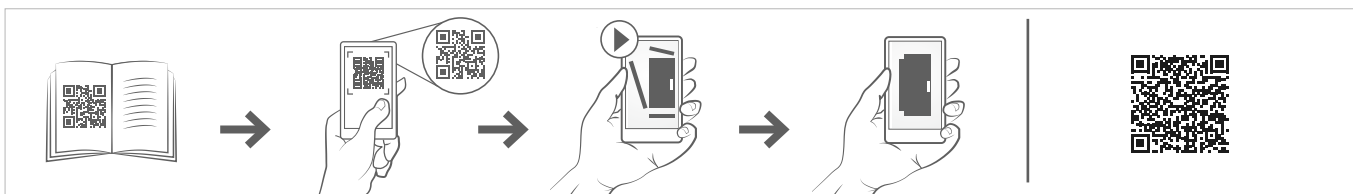
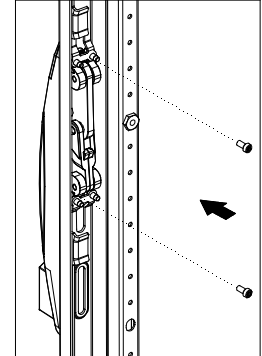
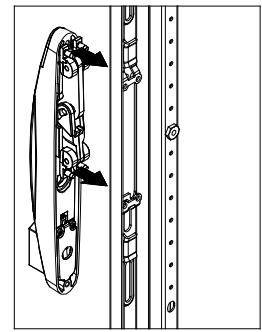
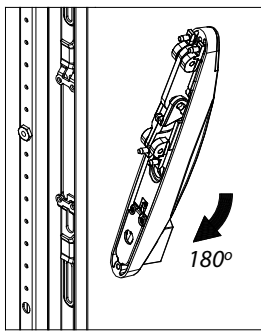
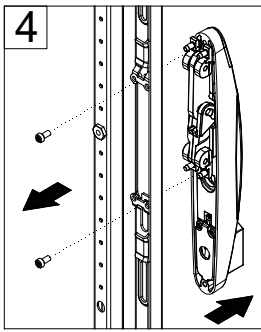
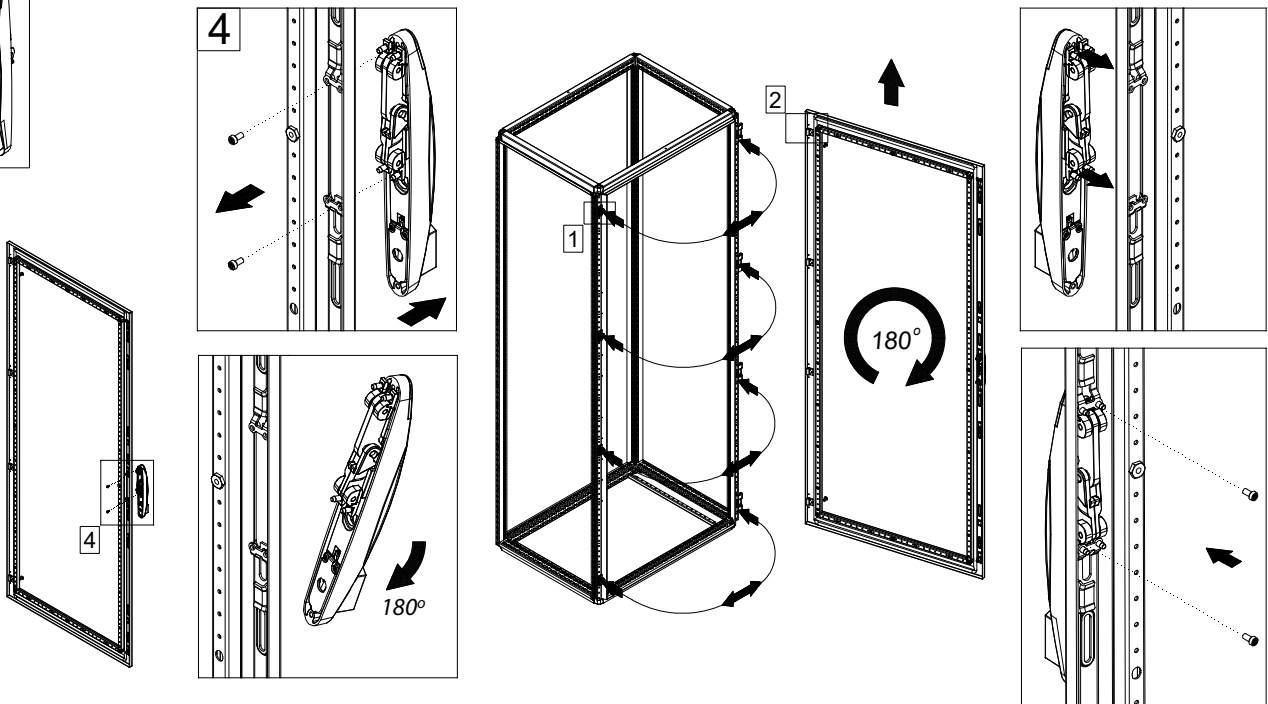
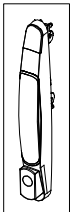




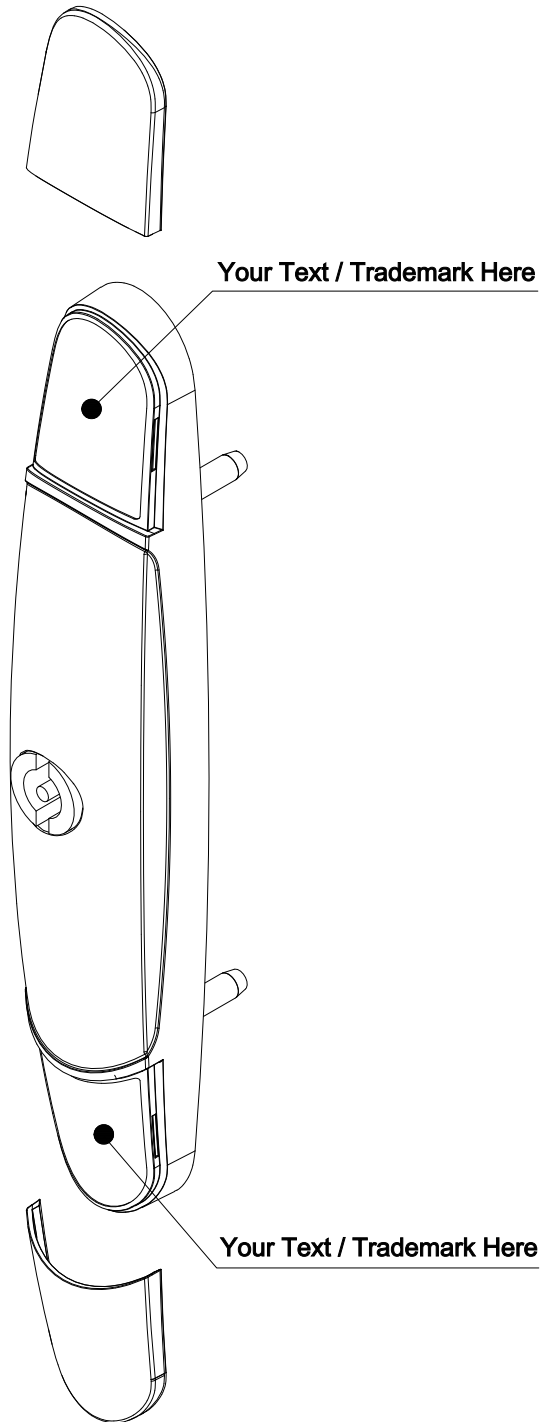
Standard Locking System



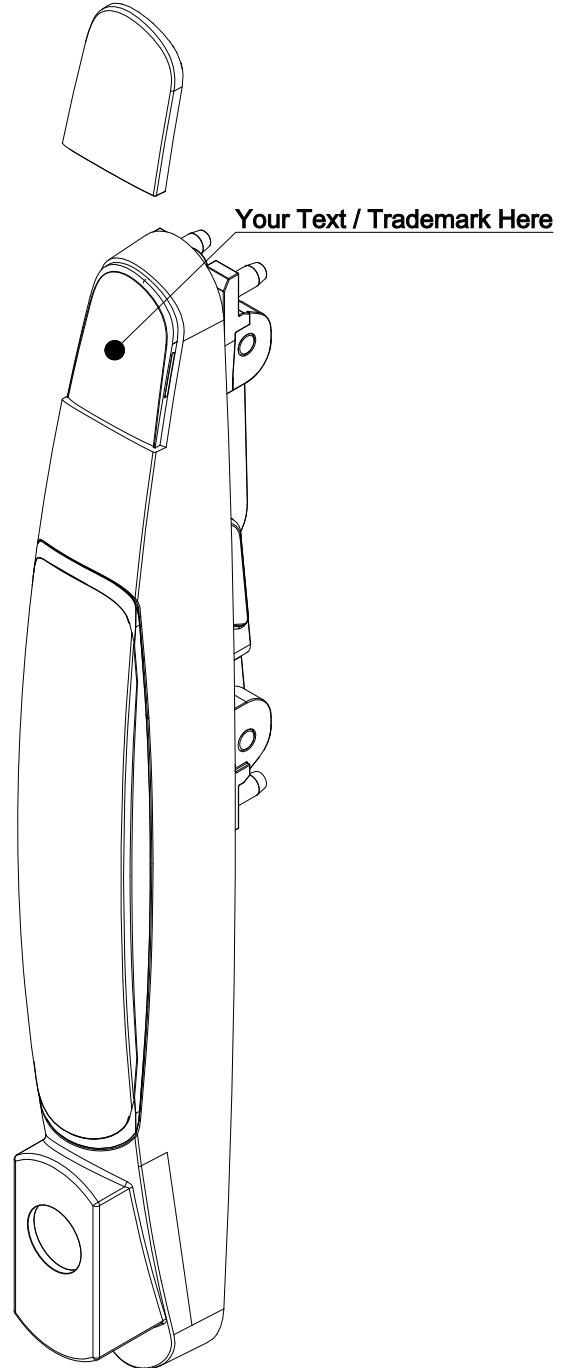
Lift Handle Locking System



### Standard Locking System



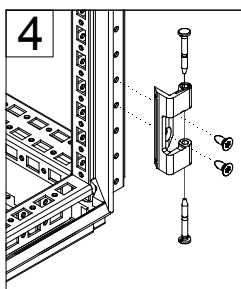
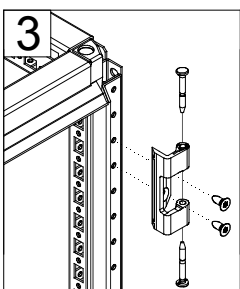
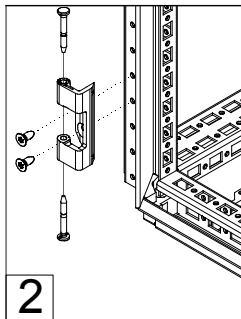
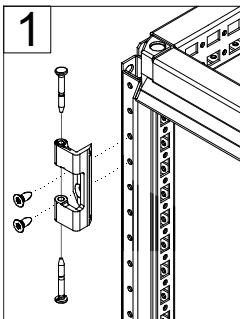
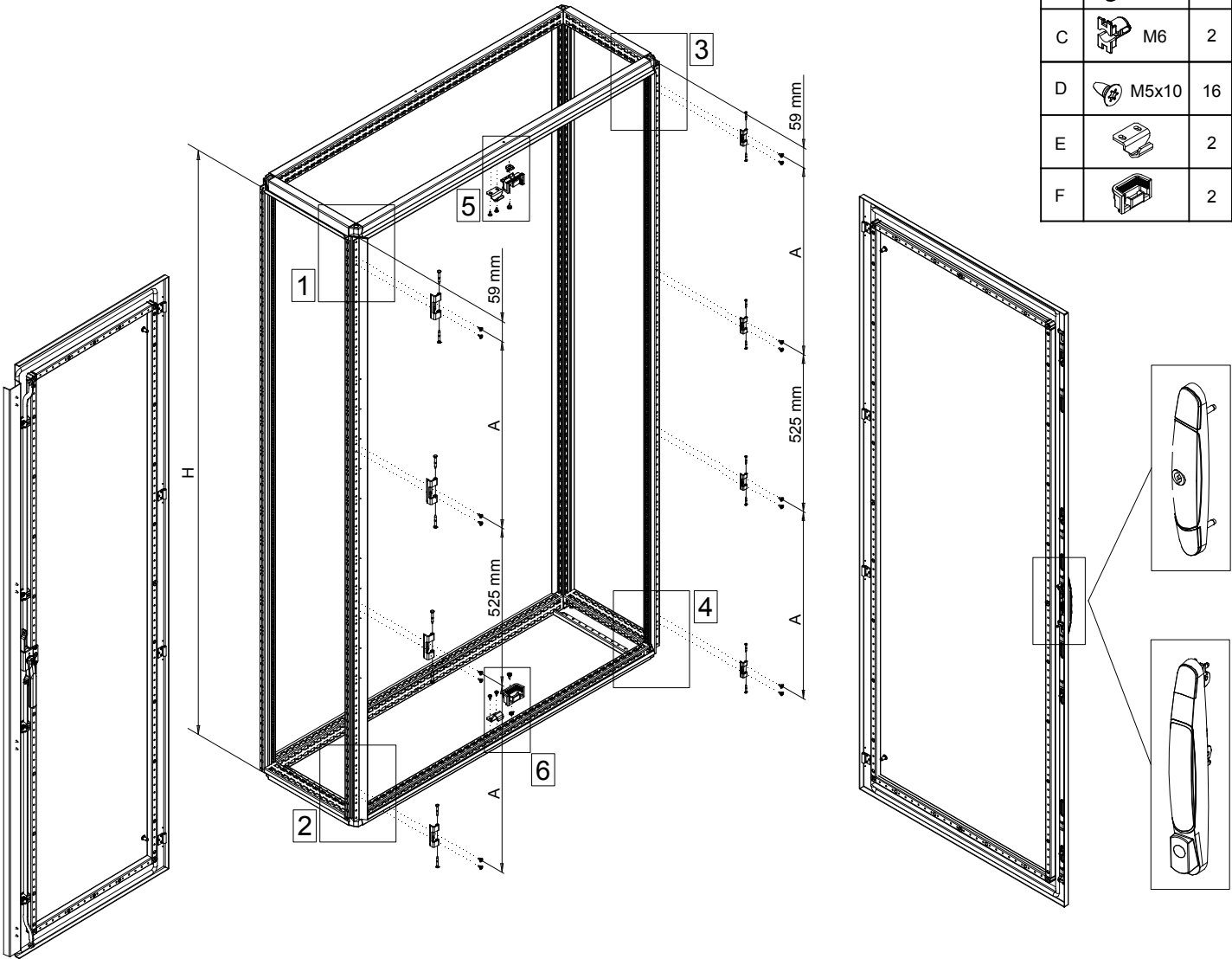
### Lift Handle Locking System



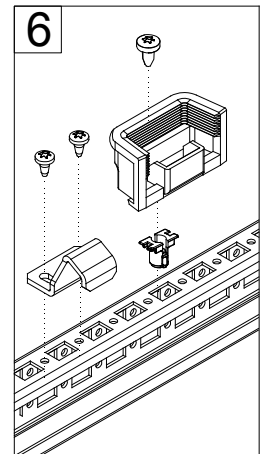
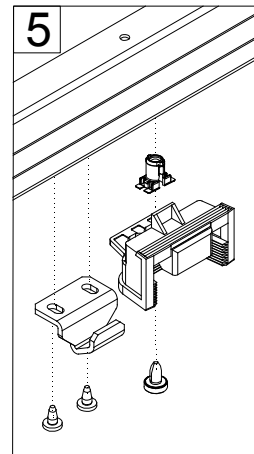
**NOTE: transparent covers are ordered separately**



Ref.	Pic.	
A		M5x10 8
B		M6x10 2
C		M6 2
D		M5x10 16
E		2
F		2



H	A
1100	175
1400	325
1600	425
1800	525
2000	625
2200	725





# MOUNTING LSEL

Ref.	Pic.	Qty.
A		6
B		4
C		8
D		1
E		1

